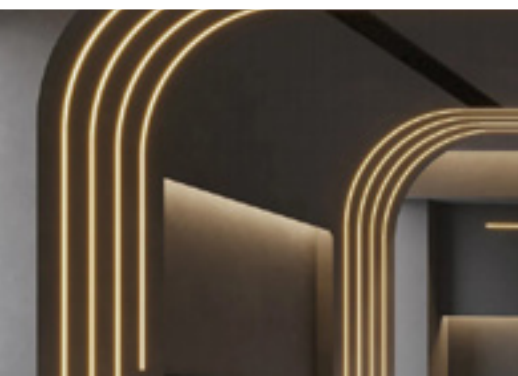
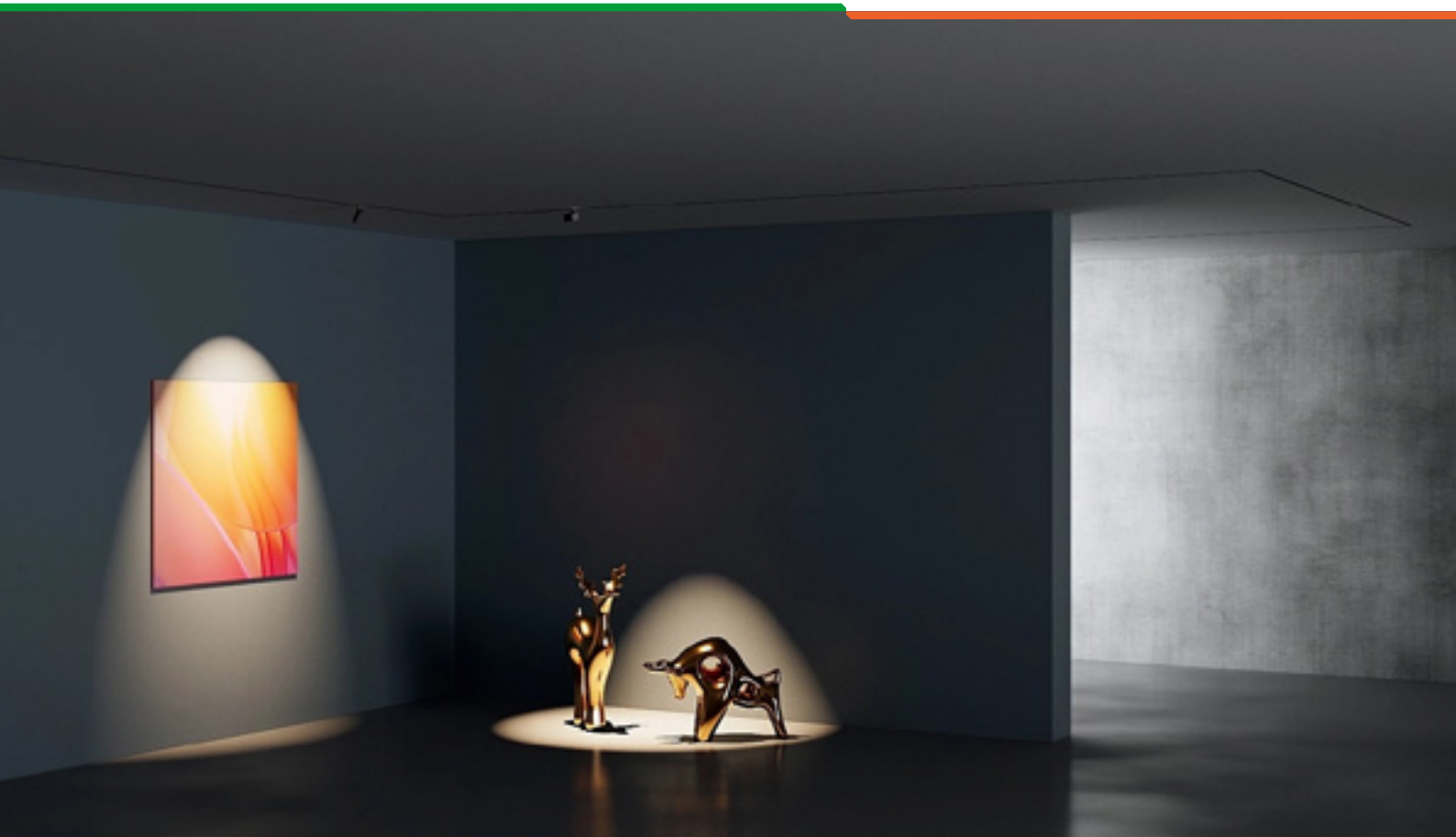


PROFESSIONAL LIGHTING SOLUTIONS

专业照明解决方案





CONTENTS

目录

| | | |
|------------|---------------------------------|-----|
| 01. | PRODUCT SERIES | |
| | 产品系列 | |
| | SHOOT LIGHT SERIES | P8 |
| | 射灯系列 | |
| | GRILLE LAMP SERIES | P12 |
| | 格栅系列 | |
| | MAGNETIC SUCTION SERIES | P17 |
| | 磁吸系列 | |
| | LIGHT BELT SERIES | P22 |
| | 灯带系列 | |
| | INTELLIGENT SWITCH SERIES | P26 |
| | 智能开关系列 | |
| 02. | CASES INTRODUCTION | P30 |
| | 案例介绍 | |
| 03. | PRECISE CONTROL OF LIGHT | P39 |
| | 精准控光 | |

ABOUT GETO 关于志特

GETO is mainly engaged in green construction and new energy.

Green prefabricated building products include aluminium formwork, steel formwork, steel-framed timber formwork, climbing systems, fair-faced concrete formwork, infrastructure formwork and scaffolding products; prefabricated steel structures, assembly precast concrete components, and modular building (including PC and steel structures).



The main focus of new energy is investment, construction, and operation of "Photovoltaics, Storage, and Charging" projects, while providing the "Green Energy Future Living" one-stop residential energy solution.

In 2021, GETO was listed on the ChiNext board of the Shenzhen Stock Exchange in China. We have established 12 production bases around the world and registered 32 international trademarks in different countries and regions.

志特集团主营绿色装配式建筑和新能源两大板块。

绿色装配式建筑包括：铝模，钢模，钢框木模，爬升式模架，清水混凝土模架，公基建类模架；装配式建筑钢结构，装配式建筑 PC，模块化房屋（包括 PC、钢结构两大类）。

新能源主营工商业“光、储、充”项目投资、建设、运维，“绿能未来居”一站式家庭能源解决方案。

“志特新材”于 2021 年在 A 股创业板挂牌上市，目前已在全球设立 12 大生产基地，在 32 个国家和地区注册了“GETO®”国际商标，产品和服务遍及全球。

ABOUT OKES 关于澳克士

OKES Lighting was founded in 1993 and is located in Guzhen Town, Zhongshan City, renowned as the "Lighting Capital of China" and the largest research, design, and manufacturing base for the lighting industry globally. As a leading enterprise in Guzhen and a top domestic brand in light sources, OKES Lighting has consistently adhered to technological innovation in light sources and an unwavering pursuit of quality.



OKES Lighting supports the development of the green lighting industry. From traditional light sources to new LED technologies, and extending across six major fields—home lighting, decorative lighting, engineering, commercial lighting, electrical components, and more—OKES offers over 2,000 product varieties, covering the entire industrial chain. After nearly 30 years of growth, OKES has expanded its operations on a large scale, with modern industrial parks spanning more than 100,000 square meters and a light source R&D and manufacturing base covering 200 acres.

Since 2000, OKES Lighting has obtained numerous certifications, including UL, Energy Star, CUL, and FCC certifications from the United States; YUV/GS, CE certifications from Germany; SAA and C-Tick certifications from Australia.

澳克士照明创建于 1993 年，座落于全球最大、国内最前沿的照明工业研发、设计和制造基地拥有中国灯都之称的中山市古镇，澳克士作为灯都领军企业和国内光源领导品牌，一直坚持对光源的科技创新和对品质的永恒追求。

澳克士照明支撑起了绿色照明的大产业，从传统光源到新型 LED 光源再到家居、灯饰、工程、商业、电工等六大领域，拥有 2000 多个品种，实现了全产业链的完整覆盖。经过近 30 年的发展，澳克士纵深扩张规模经营，拥有总占地面积达 10 万多平方米的现代工业园及占地 200 亩的光源研发制造基地。

澳克士照明从 2000 年起先后通过美国 UL 认证、能源之星认证、加拿大 CUL 认证及 FCC 测试德国 YUV/GS、CE 认证、澳洲 SAA、C-TICK 认证等。

OKES SMART HOME
澳克士智能家居

PRODUCT SERIES
产品系列

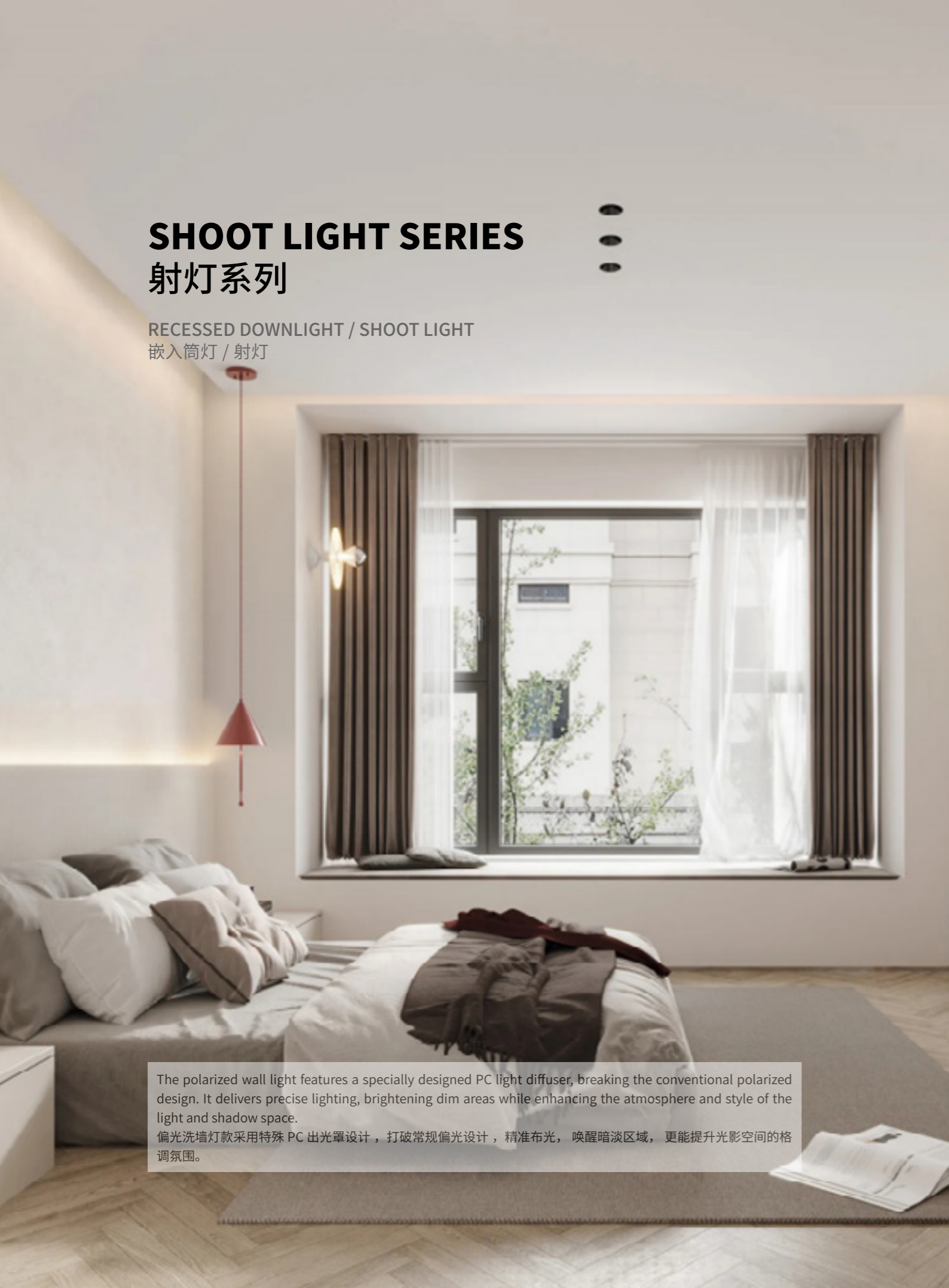
SMART & INTELLIGENT LIVING
智开启 慧生活

Smart Living,Simply Activated
智慧生活 简单开启

Free yourself from remotes,effortless voice control
摆脱遥控，解放双手，语音随心掌控

SHOOT LIGHT SERIES 射灯系列

RECESSED DOWNLIGHT / SHOOT LIGHT
嵌入筒灯 / 射灯



The polarized wall light features a specially designed PC light diffuser, breaking the conventional polarized design. It delivers precise lighting, brightening dim areas while enhancing the atmosphere and style of the light and shadow space.
偏光洗墙灯款采用特殊 PC 出光罩设计，打破常规偏光设计，精准布光，唤醒暗淡区域，更能提升光影空间的格调氛围。

PRODUCT SERIES 系列产品



MULTIPLE COLOR TEMPERATURE OPTIONS 多种色温选择



Flicker-Free at All Frequencies
无可视频率闪光



High Light Transmittance
高透光率



High Color Rendering Index (CRI)
高显色指数



Quality Certification
质量认证



Ultra-Long Lifespan
超长寿命



Energy-Saving and Environmentally Friendly
节能环保

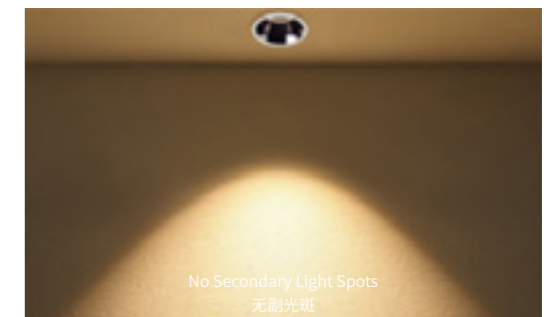
APPLICATION SCENARIOS 应用场景

Home Lighting
家居照明

Commercial Lighting
商业照明

Hotel Lighting
酒店照明

Exhibition Lighting
展陈照明





OSK-E017Y-10

Power 功率 : 10W
 Cutout Size 开孔 : $\Phi 75\text{mm}$
 Dimensions 尺寸 : $\Phi 83 \times 72\text{mm}$
 Beam Angle 光束角 : $15^\circ / 24^\circ / 36^\circ$
 Color Temperature 色温 :
 3000K/4000K/5000K/6000K
 Color Rendering Index (CRI) 显指 : ≥ 95
 Fixture Color 灯体颜色 : Sand White + Black Heat
 Sink 砂白 + 黑色散热器



OSS-E017Y-10

Power 功率 : 12W
 Cutout Size 开孔 : $\Phi 75\text{mm}$
 Dimensions 尺寸 : $\Phi 83 \times 77\text{mm}$
 Beam Angle 光束角 : $15^\circ / 24^\circ / 36^\circ$
 Color Temperature 色温 : Smart Dual Color
 (OKES Smart) 智能双色 (澳克士智能)
 Color Rendering Index (CRI) 显指 : ≥ 95
 Fixture Color 灯体颜色 : Sand White + Black Heat
 Sink 砂白 + 黑色散热器



OSK-U017Y-10

Power 功率 : 10W
 Cutout Size 开孔 : $\Phi 75\text{mm}$
 Dimensions 尺寸 : $\Phi 83 \times 72\text{mm}$
 Beam Angle 光束角 : Polarized 偏光
 Color Temperature 色温 : Smart Dual Color
 (OKES Smart) 智能双色 (澳克士智能)
 Color Rendering Index (CRI) 显指 : ≥ 95
 Fixture Color 灯体颜色 : Sand White + Black Heat
 Sink 砂白 + 黑色散热器



OSS-U017Y-10

Power 功率 : 12W
 Cutout Size 开孔 : $\Phi 75\text{mm}$
 Dimensions 尺寸 : $\Phi 83 \times 77\text{mm}$
 Beam Angle 光束角 : Polarized 偏光
 Color Temperature 色温 : Smart Dual Color
 (OKES Smart) 智能双色 (澳克士智能)
 Color Rendering Index (CRI) 显指 : ≥ 95
 Fixture Color 灯体颜色 : Sand White + Black Heat
 Sink 砂白 + 黑色散热器



GRILLE LAMP SERIES 格栅系列

EMBEDDED GRILLE SPOTLIGHTS
嵌入式格栅灯



The light is as soft as a sheer veil, bright and expansive, creating a vivid atmosphere that comes to life before your eyes. It acts as a magician that illuminates the space, offering excellent anti-glare effects with smooth, natural light distribution. Carefully crafted from premium aluminum, it brings lasting beauty to your home.
光柔似轻纱，清亮开阔，氛围跃然眼前，点亮空间的魔法师，防眩效佳，出光均匀自然，严选优质铝材，给家持久的美。

PRODUCT SERIES 系列产品



MULTIPLE COLOR TEMPERATURE OPTIONS 多种色温选择



Flicker-Free at All Frequencies
无可视频率闪光



High Light Transmittance
高透光率



High Color Rendering Index (CRI)
高显色指数



Quality Certification
质量认证



Ultra-Long Lifespan
超长寿命



Energy-Saving and Environmentally Friendly
节能环保

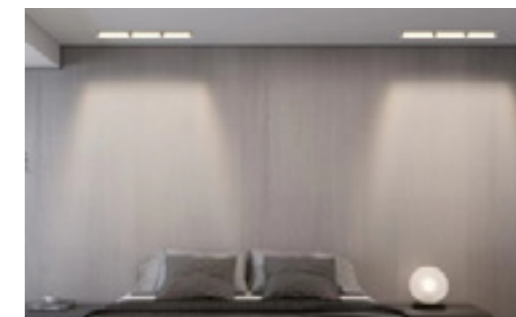
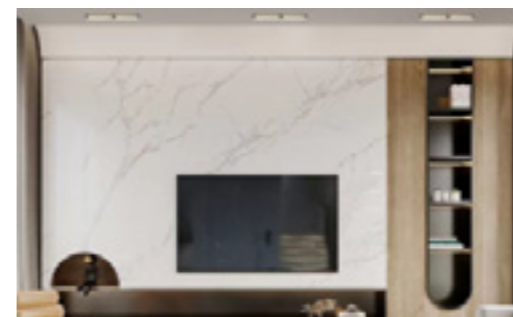
APPLICATION SCENARIOS 应用场景

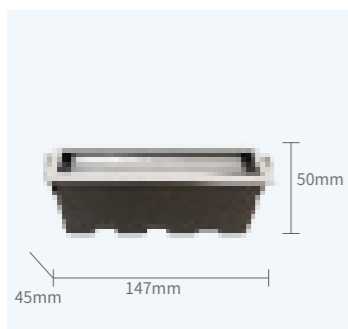
Home Lighting
家居照明

Commercial Lighting
商业照明

Hotel Lighting
酒店照明

Exhibition Lighting
展陈照明

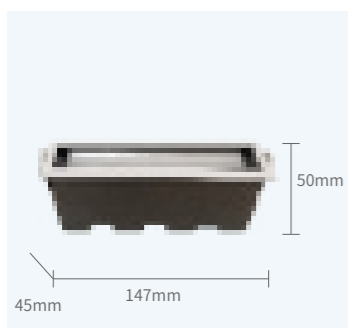




OSG-E925P-10

Power 功率 : 5*2W
Cutout Size 开孔 : 139×37mm
Dimensions 尺寸 : 147x45x50mm
Beam Angle 光束角 : Polarized 偏光
Color Temperature 色温 : 3000K/4000K/5000K/6000K
Color Rendering Index (CRI) 显指 : ≥ 95
Fixture Color 灯体颜色 : Sand White + Gray Heat Sink 砂白 + 灰色散热器

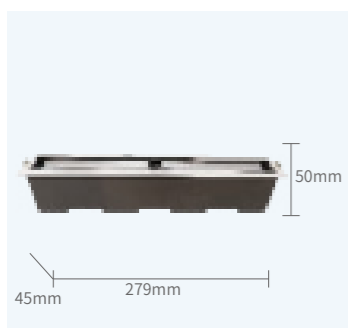
Face Ring Color 面环颜色



OSS-E925P-10

Power 功率 : 5*2W
Cutout Size 开孔 : 139×37mm
Dimensions 尺寸 : 147x45x50mm
Beam Angle 光束角 : Polarized 偏光
Color Temperature 色温 : Smart Dual Color (OKES Smart)
智能双色 (澳克士智能)
Color Rendering Index (CRI) 显指 : ≥ 95
Fixture Color 灯体颜色 : Sand White + Gray Heat Sink 砂白 + 灰色散热器

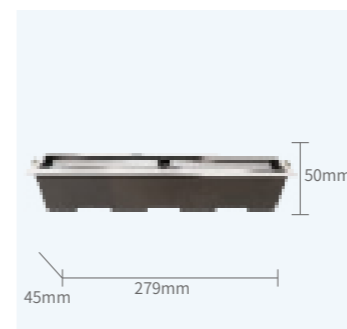
Face Ring Color 面环颜色



OSG-E9210P-20

Power 功率 : 10*2W
Cutout Size 开孔 : 272x37mm
Dimensions 尺寸 : 279x45x50mm
Beam Angle 光束角 : Polarized 偏光
Color Temperature 色温 : 3000K/4000K/5000K/6000K
Color Rendering Index (CRI) 显指 : ≥ 95
Fixture Color 灯体颜色 : Sand White + Gray Heat Sink 砂白 + 灰色散热器

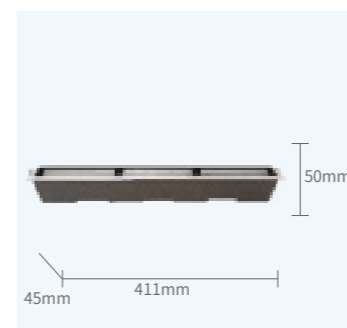
Face Ring Color 面环颜色



OSS-E9210P-20

Power 功率 : 10*2W
Cutout Size 开孔 : 272x37mm
Dimensions 尺寸 : 279x45x50mm
Beam Angle 光束角 : Polarized 偏光
Color Temperature 色温 : Smart Dual Color (OKES Smart)
智能双色 (澳克士智能)
Color Rendering Index (CRI) 显指 : ≥ 95
Fixture Color 灯体颜色 : Sand White + Gray Heat Sink 砂白 + 灰色散热器

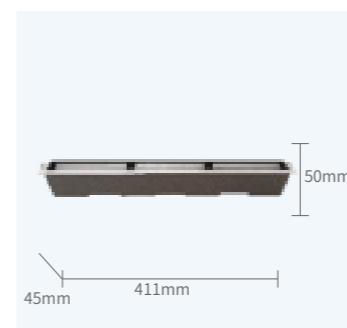
Face Ring Color 面环颜色



OSG-E9215P-30

Power 功率 : 15*2W
Cutout Size 开孔 : 403x37mm
Dimensions 尺寸 : 411x45x50mm
Beam Angle 光束角 : Polarized 偏光
Color Temperature 色温 : 3000K/4000K/5000K/6000K
Color Rendering Index (CRI) 显指 : ≥ 95
Fixture Color 灯体颜色 : Sand White + Gray Heat Sink 砂白 + 灰色散热器

Face Ring Color 面环颜色

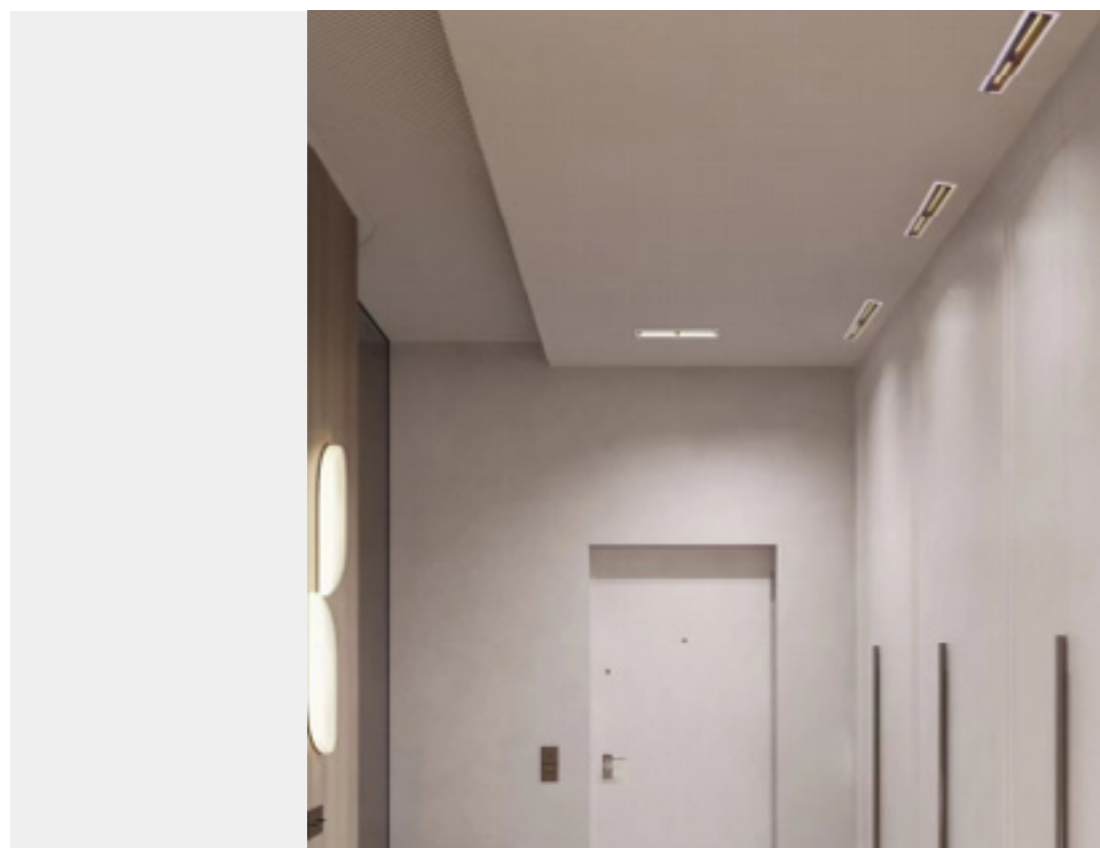
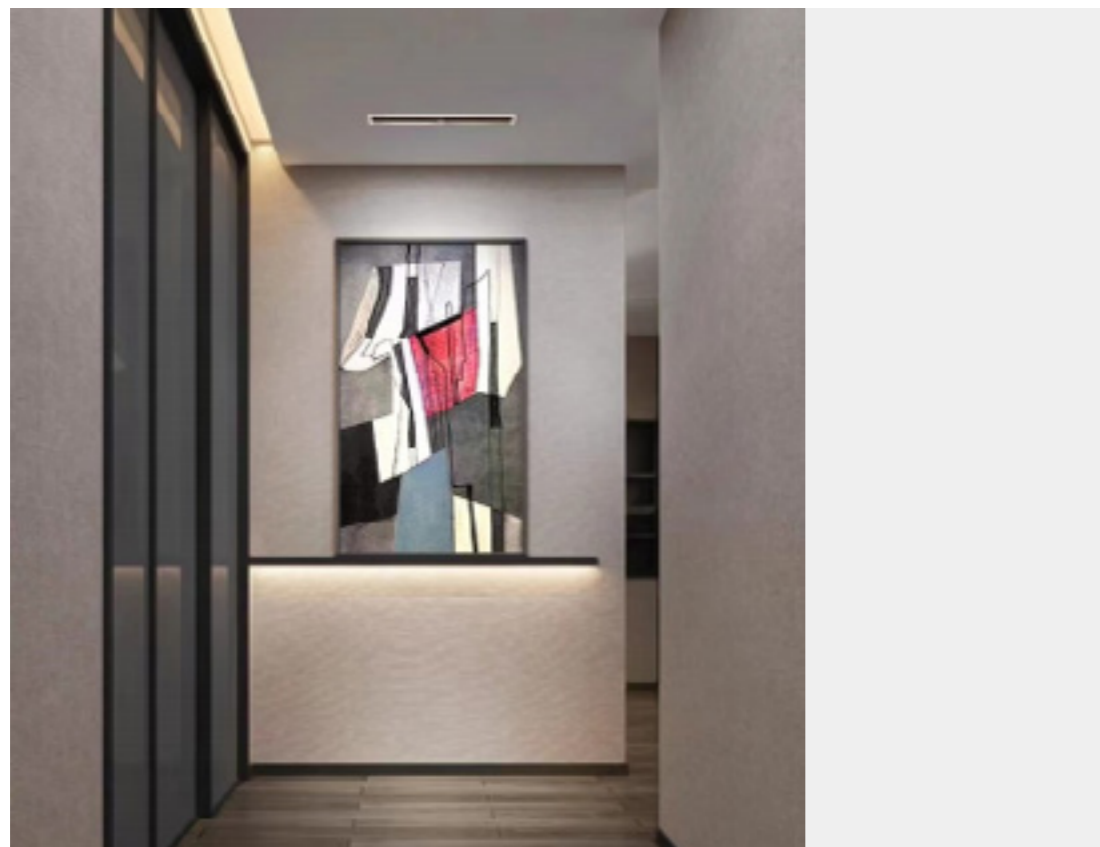


OSS-E9215P-30

Power 功率 : 15*2W
Cutout Size 开孔 : 403x37mm
Dimensions 尺寸 : 411x45x50mm
Beam Angle 光束角 : Polarized 偏光
Color Temperature 色温 : Smart Dual Color (OKES Smart)
智能双色 (澳克士智能)
Color Rendering Index (CRI) 显指 : ≥ 95
Fixture Color 灯体颜色 : Sand White + Gray Heat Sink 砂白 + 灰色散热器

Face Ring Color 面环颜色





MAGNETIC SUCTION SERIES 磁吸系列

UNIVERSAL MAGNETIC LIGHT
通用款磁吸



Versatile and trendy, with a minimalist style that unlocks endless possibilities for home lighting. Offers outstanding lighting effects, with a high color rendering index (CRI>90), providing a beautifying lighting effect for a healthy home experience.
百变潮流，简约格调，解锁家的N次方，出色照明效果，高显色 RA>90，美颜级光效，健康的家居体验。

PRODUCT SERIES 系列产品

This magnetic track is a universal type track for the market.
此款磁吸轨道为市场通用型轨道

Track thickness:2.5mm
轨道厚度足 2.5mm

Made of thickened die-cast aluminum, ensuring a robust material.
加厚压铸铝材，用料厚实

High-quality copper wire ensures safety and stability
优质紫铜线安全稳定

Copper has an extremely low resistivity, making it safe to touch.
紫铜电阻率极低，触摸无风险



OKES LOGO Punching
澳克士 LOGO 冲孔

Premium track with exclusive custom perforations
优品轨道专属定制冲孔

Built-in anti-deformation buckle
内置防变形卡扣

- Exquisite craftsmanship
做工考究
- Resistant to deformation during installation
安装不易变形
- Sturdy, durable, and rust-resistant
牢固耐用不生



Anti-deformation buckle
防变形卡扣

APPLICATION SCENARIOS 应用场景

Home Lighting
家居照明


Commercial Lighting
商业照明

Hotel Lighting
酒店照明

Exhibition Lighting
展陈照明



MAGNETIC SUCTION RAIL 磁吸轨道

| | Product Model 产品型号 | Specifications 规格参数 | Slot Size 开槽尺寸 | Surface Color 表面颜色 |
|---|-----------------------|------------------------|--------------------|-----------------------|
|  <p>2.5mm thick anti-crack magnetic track 2.5 厚防开裂磁轨</p> | OSX-A2025F-10 | L1000x58x46mm | D32.5xH35mm | Sand Black 砂黑 |
| | OSX-A2025F-20 | L2000x58x46mm | Aluminum thickness | |
| | OSX-A2025F-30 | L3000x58x46mm | 铝厚度 2.5mm | |
|  <p>Recessed magnetic track 暗装磁轨</p> | OSX-P2020-10 | L1000x58x46mm | D30xH47mm | Sand Black 砂黑 |
| | OSX-P2020-20 | L2000x58x46mm | | |
| | OSX-P2020-30 | L3000x58x46mm | | |

MAGNETIC SUCTION RAIL 磁吸轨道

| | Product Model 产品型号 | Specifications 规格参数 | Slot Size 开槽尺寸 | Surface Color 表面颜色 |
|---|-----------------------|------------------------|-----------------------|-----------------------|
|  <p>Plastered magnetic track 批灰磁轨</p> | OSX-P2018P-10 | L1000x58x46mm | D30xH47mm | Sand Black 砂黑 |
| | OSX-P2018P-20 | L2000x58x46mm | | |
| | OSX-P2018P-30 | L3000x58x46mm | | |
|  <p>Surface Mounted Magnetic Track 明装磁轨</p> | OSX-U2020-10 | L1000x27x51mm | Surface Mounted 明装 | Sand Black 砂黑 |
| | OSX-U2020-20 | L2000x27x51mm | | |
| | OSX-U2020-30 | L3000x27x51mm | | |



OSX-E20P10L80-F10 (Single color / Tri-color 单色 / 三色) OSX-S20P18SL90-F10 (Smart dual color 智能双色)

Power 功率 : 10W
 Module 模组 : Floodlight Module 泛光模组
 Dimensions 尺寸 : 300x45x22.5mm
 Input Voltage 输入电压 : DC 48V
 Color Temperature 色温 : Single color / Tri-color/ Smart dual color
 (OKES Smart) 单色 / 三色变光 / 智能双色 (澳克士智能)
 Color Rendering Index (CRI) 显指 : ≥ 95



OSX-E20P10L80-F10 (Single color / Tri-color 单色 / 三色) OSX-S20P18SL90-F10 (Smart dual color 智能双色)

Power 功率 : 12W
 Module 模组 : Grille Module 格栅模组
 Dimensions 尺寸 : 220x45x22.5mm
 Input Voltage 输入电压 : DC 48V
 Color Temperature 色温 : Single color / Tri-color/ Smart dual color
 (OKES Smart) 单色 / 三色变光 / 智能双色 (澳克士智能)
 Color Rendering Index (CRI) 显指 : ≥ 95



LIGHT BELT SERIES 灯带系列

LED LOW VOLTAGE LIGHT BELT
LED 低压灯带

LED LIGHT BELT SERIES 灯带系列产品



COB LED Strip Series
COB 灯带系列



Luminous White Series
莹白系列

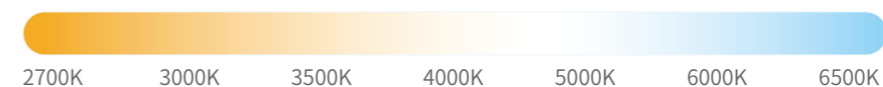


Silver Shadow Series
银影系列



Cosmos Series
宇航系列

MULTIPLE COLOR TEMPERATURE OPTIONS 多种色温选择



Flicker-Free at All
Frequencies
无可视频率闪光



High Light
Transmittance
高透光率



High Color Rendering
Index (CRI)
高显色指数



Quality
Certification
质量认证



Ultra-Long
Lifespan
超长寿命



Energy-Saving and
Environmentally
Friendly
节能环保

APPLICATION SCENARIOS 应用场景

Home Lighting
家居照明

Commercial Lighting
商业照明

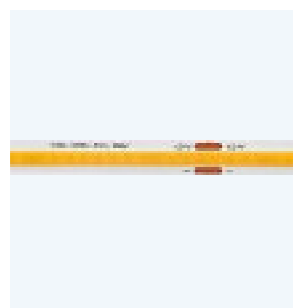
Hotel Lighting
酒店照明

Exhibition Lighting
展陈照明



Bright and vibrant, the perfect choice for your home. From high-quality LED chips to copper-core wires, the craftsmanship inside and out is carefully designed to create reliable and durable lighting products that provide comfortable illumination.

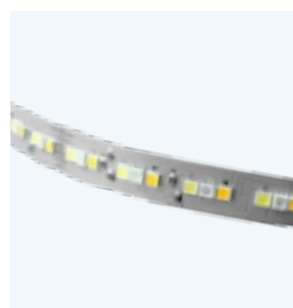
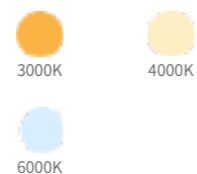
明亮出彩，美家之选，从品质 LED 芯片到铜芯导线内外兼修的匠心工艺，用心打造出安心且耐使用的舒适照明。



COB LED Strip Series COB 灯带系列

Power 功率 : 10W/m
LED Brightness 灯珠亮度 : 85-95LM
Color Temperature 色温 : 3000K/4000K/6000K
Color Rendering Index (CRI) 显指 : ≥ 90
Input Voltage 输入电压 : DC 24V
PCB Width 板宽 : 8MM
LED Count 灯珠 : 320 LEDs/m

Product Color
Temperature
产品色温



Silver Shadow Series 银影系列

Power 功率 : 18W/m
LED Brightness 灯珠亮度 : 24-26LM
Color Temperature 色温 : RGBCW
Color Rendering Index (CRI) 显指 : ≥ 90
Input Voltage 输入电压 : DC 24V
PCB Width 板宽 : 12mm Double-Sided 12MM 双面板
LED Count 灯珠 : 180 LEDs/m

Product Color
Temperature
产品色温



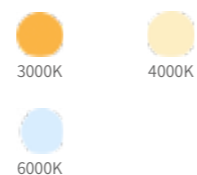
RGBCW



Luminous White Series 莹白系列

Power 功率 : 10W/m
LED Brightness 灯珠亮度 : 21-23LM
Color Temperature 色温 : 3000K/4000K/6000K
Color Rendering Index (CRI) 显指 : ≥ 90
Input Voltage 输入电压 : DC 24V
PCB Width 板宽 : 5mm, double-sided white PCB
5MM 双面白板
LED Count 灯珠 : 180 LEDs/m

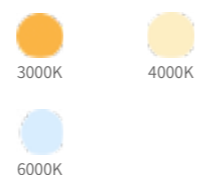
Product Color
Temperature
产品色温



Luminous White Series 莹白系列

Power 功率 : 10W/m
LED Brightness 灯珠亮度 : 21-23LM
Color Temperature 色温 : 3000K/4000K/6000K
Color Rendering Index (CRI) 显指 : ≥ 90
Input Voltage 输入电压 : DC 24V
PCB Width 板宽 : 8mm, double-sided white PCB
8MM 双面白板
LED Count 灯珠 : 120 LEDs/m

Product Color
Temperature
产品色温



INTELLIGENT SWITCH SERIES 智能开关系列

WONDERFUL ENJOY INTELLIGENT LIGHT CONTROL
妙享智能灯控



Flexible multi-control, easily managed. Crafted with care for premium quality. Replaceable with traditional switches, and easily paired with stick-on switches to solve everyday switching challenges.
随心多控，灵活掌控，用心铸就精工品质，可替换传统开关，可搭配随意贴轻松解决日常开关使用难题。

WHOLE-HOME INTELLIGENCE, ONE-TOUCH CUSTOMIZATION

全屋智能，一键定制

*APP remote control
APP 远程控制

*Intelligent linkage
智能联动

*Scheduled on/off
定时开关

*Voice control
语音控制



Smart Control Curtains
智控窗帘



Smart Control Lighting
智控灯具



Smart Control Air
Conditioning
智控空调



Smart Control
Computers
智控电脑



SCENE LINKAGE TO DEFINE YOUR SMART LIFE

场景联动，定义你的智能生活

Customize your desired living scenarios and control all home appliances with one button, making it highly convenient.

根据自身需求自定义你想要的生活场景，一键控制家中所有电器，十分便捷。

Touch Switch
轻触开关



Replaceable with
Traditional Switches
可替换传统开关



High-Quality Panel
高品质面板



multiple color options
多色可选



APPLICATION SCENARIOS

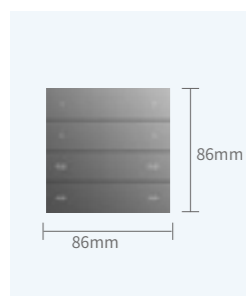
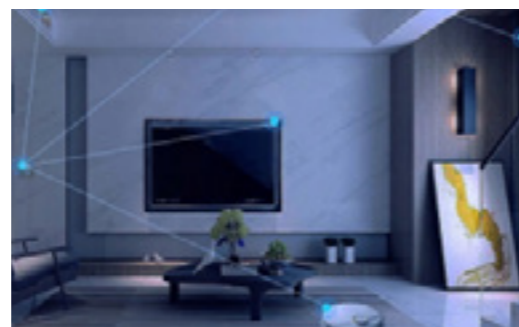
应用场景

Smart Home
家居智能

Smart Villas
别墅智能

Smart Hotels
酒店智能

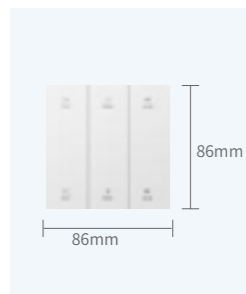
Smart Commercial
Solutions
商用智能



OKS-A6WS3019

Product Colors 产品颜色

Product Series 产品系列 : Smart Lighting Series 智灯系列
Product Name 产品名称 : Four-Position Switch + Dimming and Color Control 四位开关 + 调光调色
Product Panel 产品面板 : PC Panel PC 面板
Installation Size 安装尺寸 : Standard 86 Box 标准 86 盒
Wireless Type 无线类型 : OKES 2.4G 澳克士 2.4G



OKS-A8WS3007

Product Colors 产品颜色

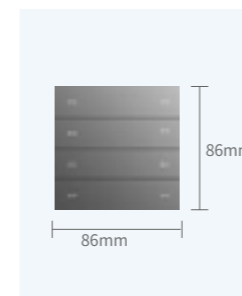
Product Series 产品系列 : Smart Lighting Series 智灯系列
Product Name 产品名称 : Wireless Panel for Color and Dimming Control 无线面板调色调光
Product Panel 产品面板 : PC Panel PC 面板
Installation Size 安装尺寸 : Standard 86 Box 标准 86 盒
Wireless Type 无线类型 : OKES 2.4G 澳克士 2.4G



OKS-A8WS3017

Product Colors 产品颜色

Product Series 产品系列 : Smart Lighting Series 智灯系列
Product Name 产品名称 : Six-Button Scene Wireless Panel 无线面板六键情景
Product Panel 产品面板 : PC Panel PC 面板
Installation Size 安装尺寸 : Standard 86 Box 标准 86 盒
Wireless Type 无线类型 : OKES 2.4G 澳克士 2.4G



OKS-A6WS3018

Product Colors 产品颜色

Product Series 产品系列 : Smart Lighting Series 智灯系列
Product Name 产品名称 : Eight-Button Scene Wireless Panel 无线面板八键情景
Product Panel 产品面板 : PC Panel PC 面板
Installation Size 安装尺寸 : Standard 86 Box 标准 86 盒
Wireless Type 无线类型 : OKES 2.4G 澳克士 2.4G



CASES INTRODUCTION 案例介绍

UNIVERSAL STUDIOS BEIJING 北京环球影城

The largest Universal Studios theme park in the world, featuring Jurassic World and Minion Park.
Over 300 types and 5,000 sets of custom-made non-standard lighting fixtures.
The project covers indoor lighting, outdoor illumination, and non-standard decorative lights.

全球规模最大的环球影城主题公园 侏罗纪世界，小黄人公园，
多达 300 余款，5000 套非标定制灯具。涵盖室内照明，户外亮化及非标装饰灯



DISNEY'S GLOBAL LIGHTING ENGINEERING STRATEGIC PARTNER 迪士尼全球灯光工程战略合作伙伴

Disney's Global Lighting Engineering Strategic Partner

The project encompasses various resorts and entertainment venues, from California Disney to Florida Disney, with designs aimed at family visitors, luxury accommodations, and themed experiences.

The lighting company provided diverse lighting solutions, including outdoor landscape lighting, themed lighting, modern chandeliers, and eco-friendly products, creating warm, dreamy, and luxurious atmospheres that enhance the customer experience.

Through these unique lighting designs, the project successfully highlighted each theme and culture, meeting the needs of different visitors.

项目涵盖了多个度假村和娱乐场所，从加州迪士尼到佛罗里达州迪士尼，分别针对家庭游客、豪华住宿和主题体验设计。灯具公司在这些项目中提供了多样化的照明解决方案，包括户外景观灯、主题灯具、现代吊灯和生态友好的照明产品，以营造温馨、梦幻和奢华的氛围，增强客户的体验。通过这些独特的灯具设计，项目成功地突出了各自的主题与文化，满足了不同游客的需求。

DISNEY THEME PARKS 迪士尼主题乐园



VELERO HOTEL 卡塔尔酒店



HILTON HOTEL UZBEKISTAN 乌兹别克斯坦希尔顿酒店



PHOENIX MARKETCITY (MUMBAI, KULA, BANGALORE, PUNE, LUCKNOW) 印度凤凰购物商业中心（孟买、库拉、班加罗尔、浦那、勒克瑙）



MARQUIS MARRIOTT HOTEL DUBAI 迪拜 侯爵万豪酒店

Location: Dubai, UAE

Lighting Consultant: KARDORFF INGENIEURE (Germany)

Project Overview:

The Park Tower Hotel in the UAE is a twin-tower complex in Dubai, part of the JW Marriott Marquis, a five-star hotel. It has 80 floors, stands 355 meters tall, and accommodates 1,600 rooms.

Project Coverage:

General lighting, LED products, waterproof lighting, and decorative lighting for FOH, BOH, public areas, and platforms, including banquet halls, guest rooms, bars, parking areas, and Indian and Thai restaurants.

位置: 阿联酋 迪拜

照明顾问: KARDORFF INGENIEURE(德国)

项目介绍:

阿联酋公园塔酒店是迪拜的一个双塔综合体,它属于 JW 侯爵万豪旗下的五星级酒店,共 80 层,355 米高,可容纳 1600 间客房。

覆盖业务:

为 FOH、BOH、公共区域、平台区或(包括宴会厅、客房、酒吧停车场、印度餐厅、泰国餐厅)提供一般照明、LED 产品、防水照明、装饰照明。



HANGZHOU OLYMPIC SPORTS CENTER 杭州奥体中心

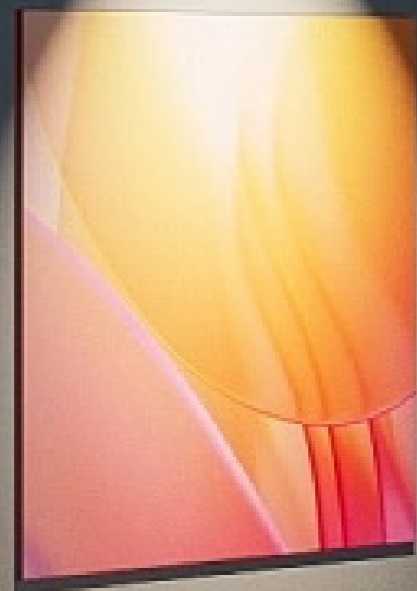


NATIONAL MUSEUM 国家博物馆

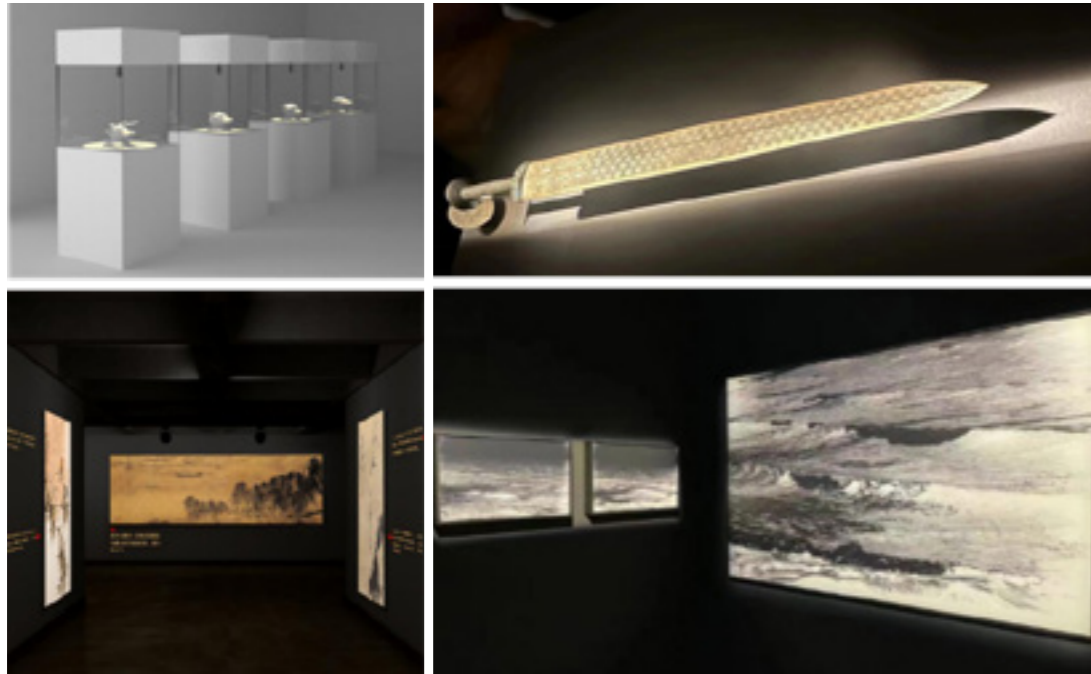


PRECISE CONTROL OF LIGHT 精准控光

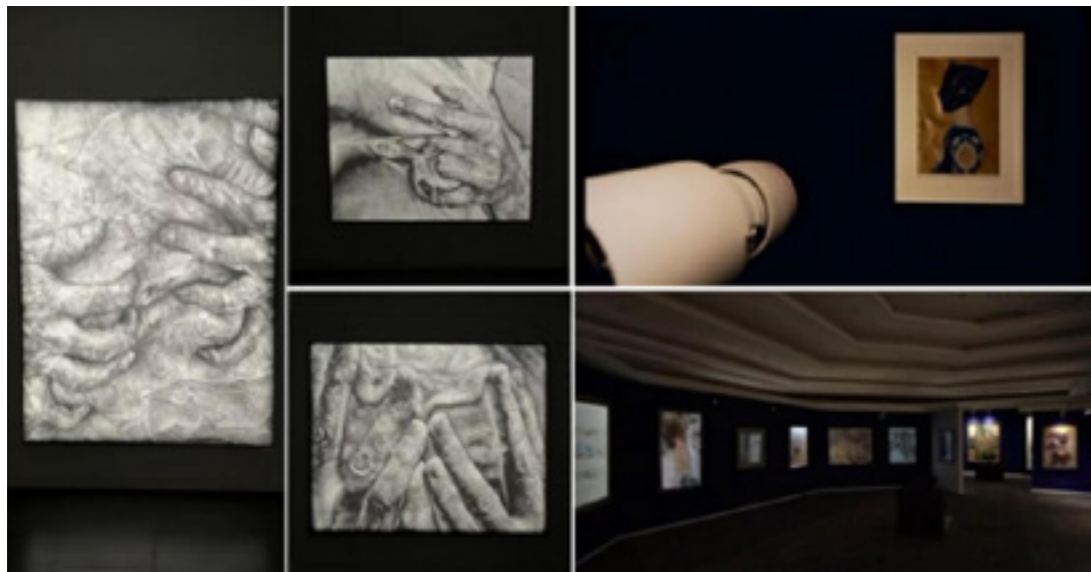
APPLICATIONS
应用场景



MUSEUMS (EXHIBITS) 博物馆 (展示陈列)



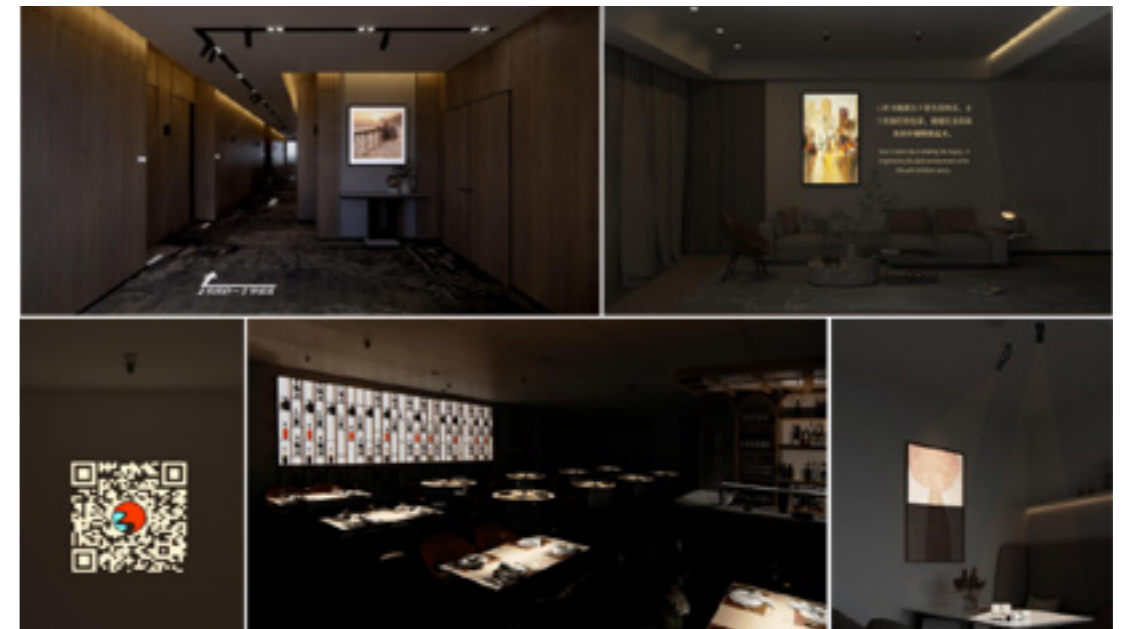
ART GALLERIES 美术馆 (画廊)



HOME LIGHTING 家装



HOTEL RESTAURANTS AND CAFÉS 酒店餐咖



HIGH-END LIGHTING 高端照明



GETO Group

Headquarters:

Greater Bay Area—No. 13 Heqing Road, Tsuihang New District, Zhongshan City, Guangdong Province

Southern China Production Base I :

Cuishan Lake Science and Technology Park, Kaiping, Jiangmen City ,Guangdong Province

Southern China Production Base II :

Huizhou Industrial Transfer Industrial Park, Huizhou City, Guangdong Province

Eastern China Production Base I :

Guangchang Industrial Park, Fuzhou City, Jiangxi Province

Central China Production Base:

Hi-tech Industry Development Zone, Xianning City, Hubei Province

Northern China Production Base:

China Aluminium Industrial Park, Linqu, Weifang City, Shandong Province

Southwest China Production Base:

Modern Manufacturing Industrial Park, Tongnan High-Tech District, Chongqing City

Northwest China Production Base:

The Circular Economy Park, Anding District, Dingxi City, Gansu Province

Hainan Production Base:

Gold Medal Port Industrial Park, Lingao County, Hainan Province

ASEAN Production Base:

Negeri Sembilan, Malaysia

Singapore Production Base :

West Region, Singapore

Saudi Arabia Production Base:

Riyadh, Saudi Arabia

Contact

Sales Hotline: 0086-760-88589004

E-mail: geto_market@geto.com.cn

Website: www.getoformwork.com

20250415V1

